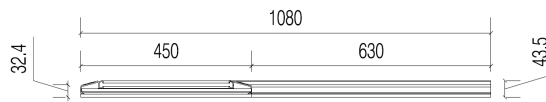


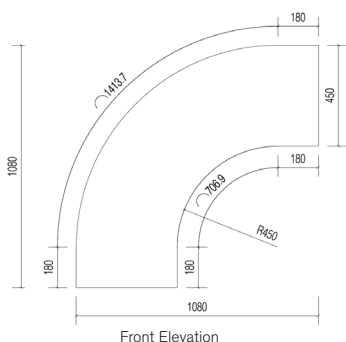
CompoSe 450C



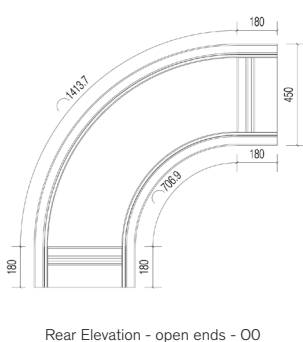
CompoSe 450C - Flat Curve, 90 degree angled, LED based modular intelligent luminaire. Intended for use as a module in a CompoSe 450 array only. Direct and Direct/Indirect light distribution options: '1Way' and '2Way'. 'Frameless' panel design with a 'floating' 8mm Satin high-grade acrylic diffuser panel.



Side Elevation



Front Elevation



Rear Elevation - open ends - 00

Applications

Ceiling suspended as part of a CompoSe 450 ceiling feature

Wall mounted as part of a CompoSe 450 wall feature

Size Options

CompoSe 450 C - 450mm wide x 32mm visible edge. Standard dimensions as per drawing. CompoSe C is also available in 300 and 600mm widths. Custom widths up to 600mm - on request.

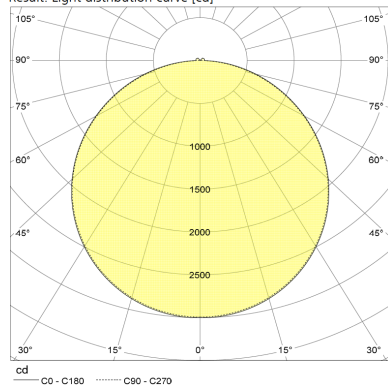
LED Options

CCT Standard White - 2700K, 3000K, 4000K, 5000K, 6500K / **Tunable White** - 2200K to 6500K / **RGB** - fully dynamic. CRI 80 / CRI 90 optional for 2700K, 3000K, 4000K

Light Performance

'1Way'

Result: Light distribution curve [cd]

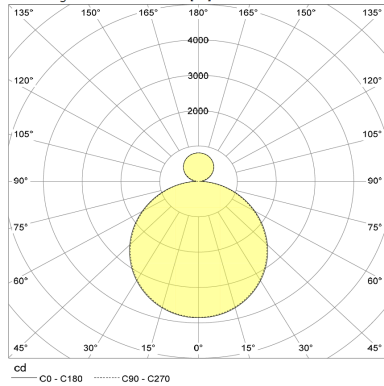


CompoSe 450C		Luminair	
CCT		Flux	Efficacy
White	2700K	10643lm	72lm/W
	3000K	11247lm	76lm/W
	4000K	12094lm	82lm/W
	5000K	12094lm	82lm/W
	6500K	12094lm	82lm/W
Tunable White	2200-6500K	8699lm	71lm/W

Tunable White: normalised output
 CRI: 80. CRI 90 optional for 2700K, 3000K, 4000K
 Luminair input power: 139W for white, 129W for TW
 Standby power: 0,5 W
 Rated median useful life: 50000h L80 at 25C
 Colour tolerance: MacAdam 3

'2Way'

Result: Light distribution curve [cd]



CompoSe 450C		Luminair	
CCT		Flux	Efficacy
White	2700 K	10270lm	70lm/W
	3000K	10854lm	74lm/W
	4000K	11671lm	79lm/W
	5000K	11671lm	79lm/W
	6500K	11671lm	79lm/W
Tuneable White	2200-6500K	8394lm	68lm/W

Tuneable White: normalised output
CRI: 80. CRI 90 optional for 2700K, 3000K, 4000K
Luminair input power: 139W for white, 129W for TW
Standby power: 0,5 W
Rated median useful life: 50000h L80 at 25C
Colour tolerance: MacAdam 3

Design Options

Standard front panel design - 8mm Satin high-grade acrylic diffuser panel.

Design Options: **Printed** - Custom print design, digitally applied to individual panels or over multiple panels
Etched - Custom etch design, digitally laser-etched on individual panels or over multiple panels. This option shows an 8mm visible frame.

Control

Individually Intelligent Panel - integrated DALI LED driver (type DT6 or DT8) for calibration, dimming and colour control. Electronic Panel Connector to feed and control up to 5 lm. CompoSe panels with only 1 Power/DALI cable. Full range of fixed and wireless panel control options. Panels can be controlled individually, in groups or multiple groups. Remote programming and monitoring. Supports DALI daylight, motion sensors etc.

Properties

'Frameless' panel design as a result of a proprietary 'diffuser-to-frame' fixing system. Liquid Nitrogen extruded, high quality aluminium profiles, for best possible natural anodised finish. Flat luminair with 32mm visible edge. Frameless panel ends with connectors where panels connect in a CompoSe array, to ensure optimised panel joint experience. High-grade 8mm Satin PMMA (acrylic) diffuser for optimised light distribution and glare control. 48V LED system with integrated DALI LED driver, Electronic Panel Connector and a connected decorative 5-core power lead. Ceiling Suspended with a 1,5mm dia wire suspension system or Wall Mount with proprietary wall bracket system.