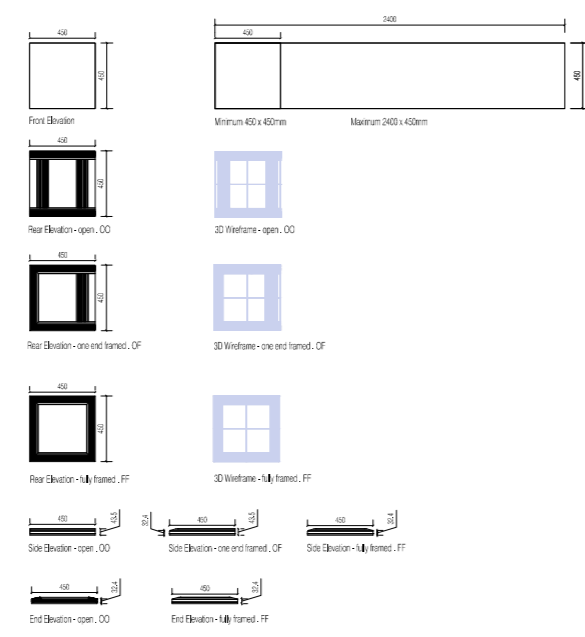
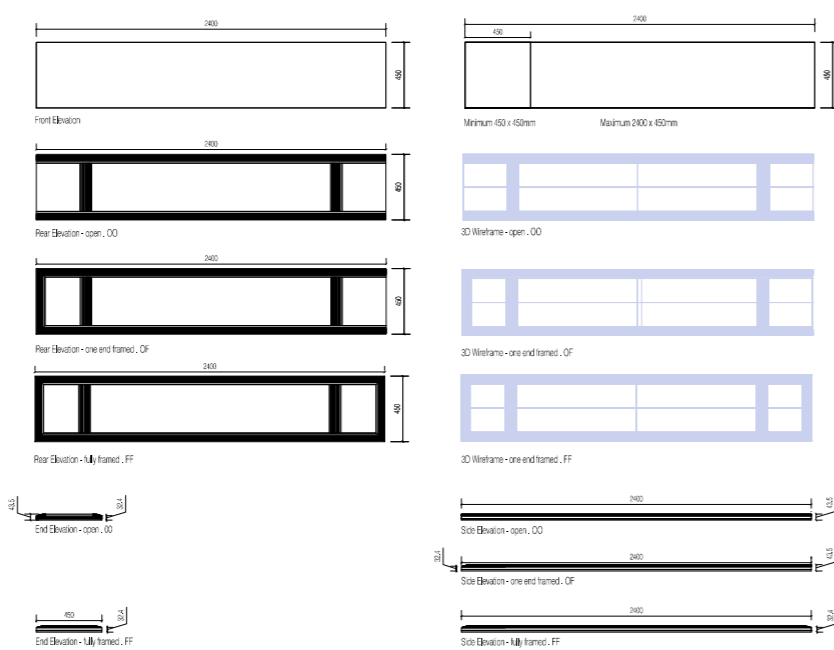


# CompoSe 450 - wall & ceiling feature - diffused or printed - 1way / 2 way

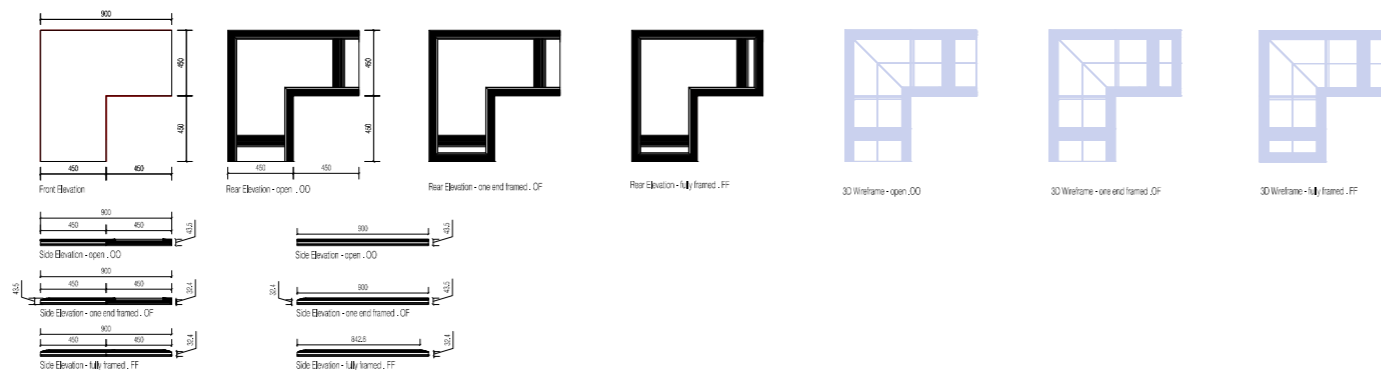
CompoSe - 450 SQ (smallest module), Diffused or Printed, 1way / 2way / OO / OF / FF



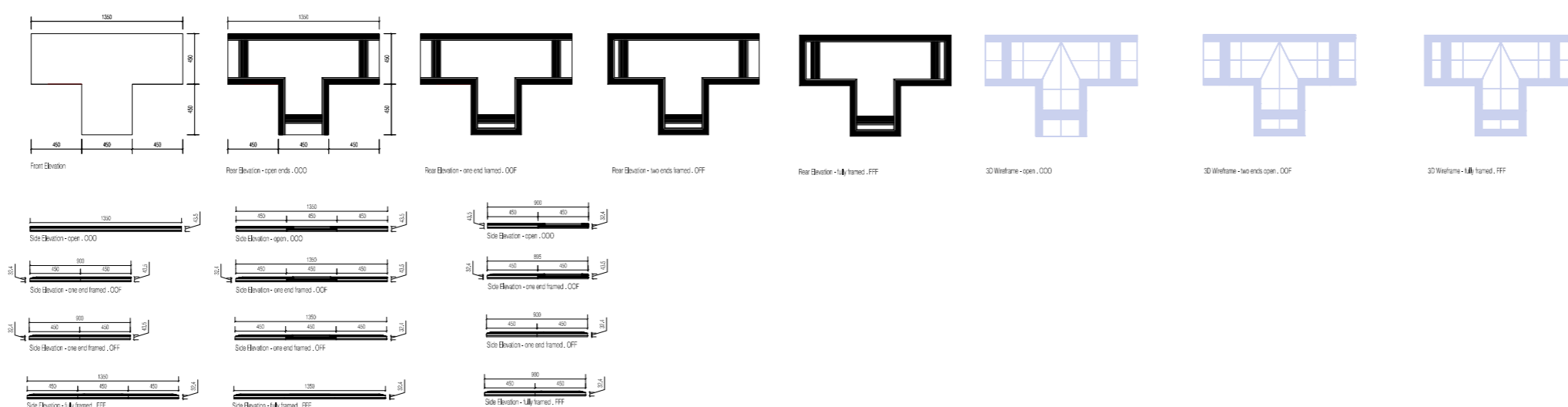
CompoSe - 450 R (largest module), Diffused or Printed, 1way / 2way / OO / OF / FF



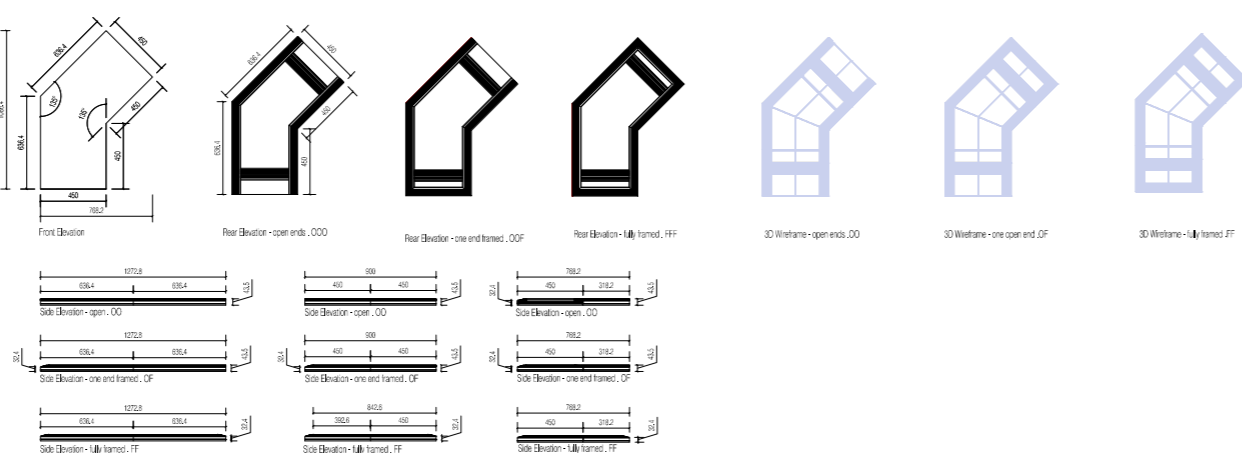
CompoSe - 450 L90, Diffused or Printed, 1way / 2way / OO / OF / FF



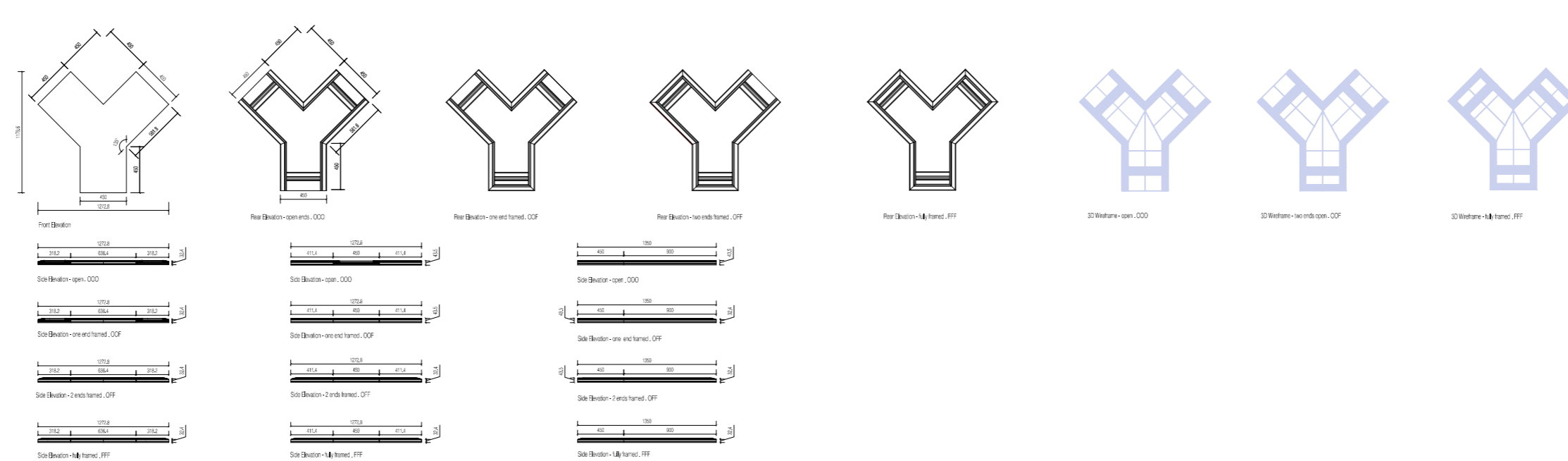
CompoSe - 450 T, Diffused or Printed, 1way / 2way / OO / OF / FF



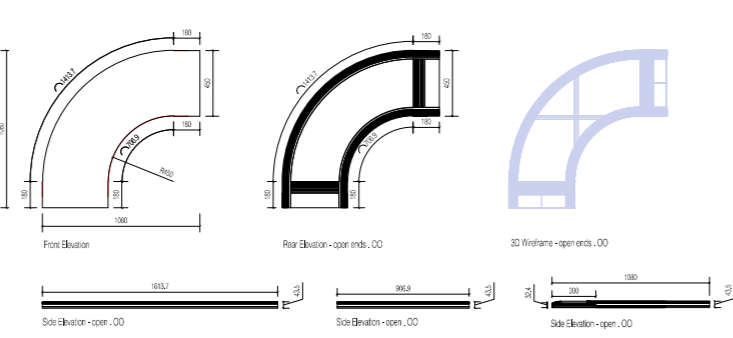
CompoSe - 450 L135, Diffused or Printed, 1way / 2way / OO / OF / FF



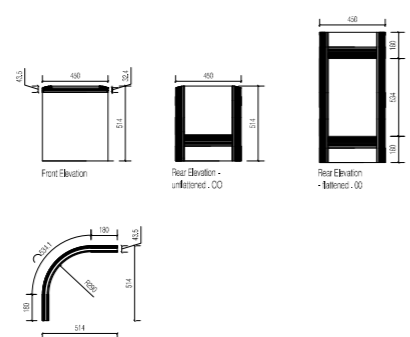
CompoSe - 450 Y, Diffused or Printed, 1way / 2way / OO / OF / FF



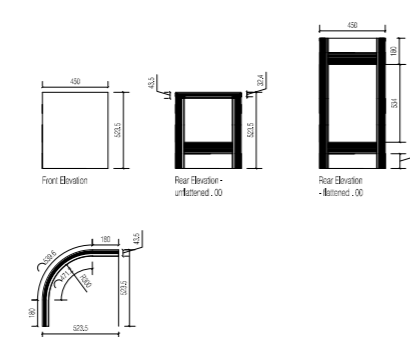
CompoSe - 450 C, Diffused or Printed, 1way / 2way / OO



CompoSe - 450 OA, Diffused or Printed, 1way / 2way / OO



CompoSe - 450 OE, Diffused or Printed, 1way / 2way / OO



- Notes:
- DO NOT SCALE FROM DRAWINGS.
  - WHERE APPLICABLE, CHECK ALL DIMENSIONS ON SITE PRIOR TO COMMENCING CONSTRUCTION
  - REPORT ALL CONFLICTS OF INFORMATION AND/OR DESIGN ISSUES TO archilum0 BV
  - IF IN DOUBT CONTACT archilum0 BV

00	Date	Description	DW
REV:	DATE:	DESCRIPTION:	BY:

archilum0  
archilum0 BV  
www.archilum0.com

archilum0 Ref:  
Drawings for distribution

Project:  
Download

Title:  
CompoSe 450 series modules

JOB No:	SCALE: 1:10 @ A1	SHEET SIZE:
Level:	Drawing No: TD - C450/001.01	STATUS:
Drawn By: DW	Date: 9.6.16	Checked By:
		Date: