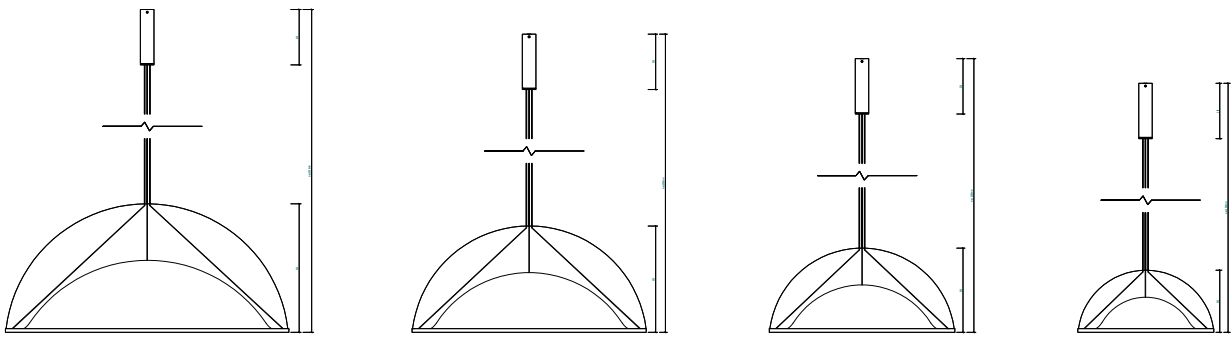
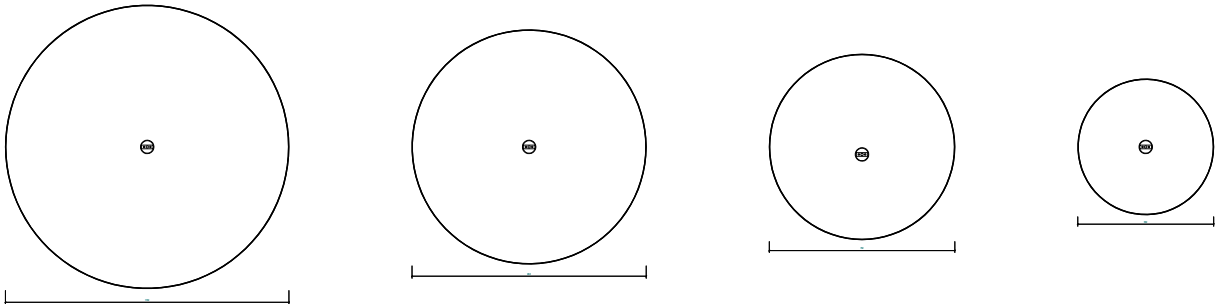


Kupolo Gloss / Matt



Side elevation



Plan

- Notes:
1. DO NOT SCALE FROM DRAWINGS.
 2. WHERE APPLICABLE, CHECK ALL DIMENSIONS ON SITE PRIOR TO COMMENCING CONSTRUCTION
 3. REPORT ALL CONFLICTS OF INFORMATION AND/OR DESIGN ISSUES TO ARCHILUMO BV
 4. IF IN DOUBT CONTACT ARCHILUMO BV

REV:	DATE:	DESCRIPTION:	BY:

archilumO Ref:			
Project: Technical download			
aKupolo series			
Title: aKupolo Gloss / Matt			
JOB No:	SCALE: NTS	SHEET SIZE: A4	
Level:	Drawing No: aK.G/M.001	REV:	STATUS: I
Drawn By: DW	Date: March 22	Checked By:	Date: