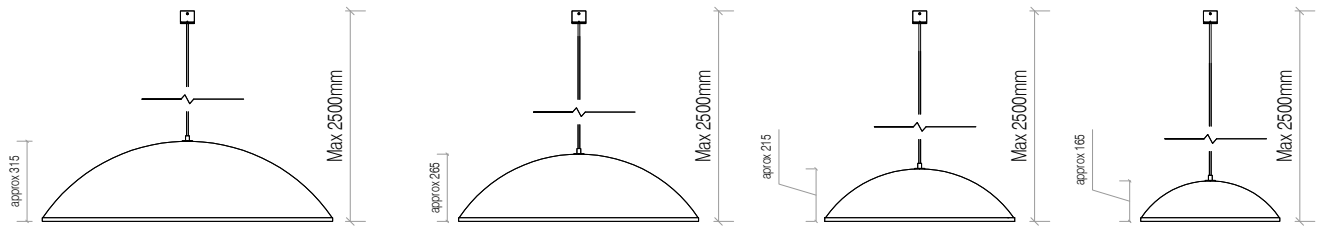
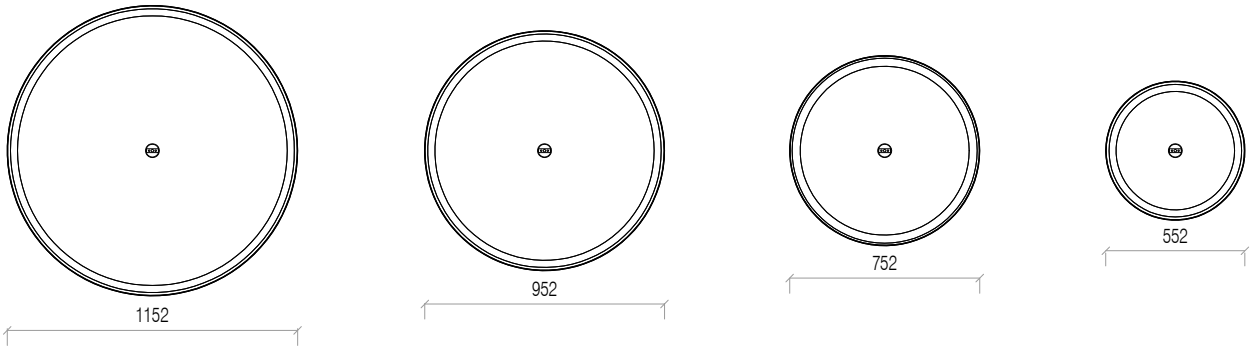


aKupolo concave + optional ceiling rose

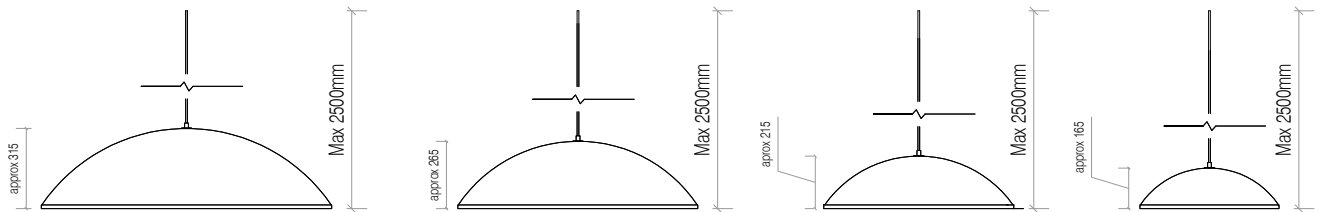


Side elevation

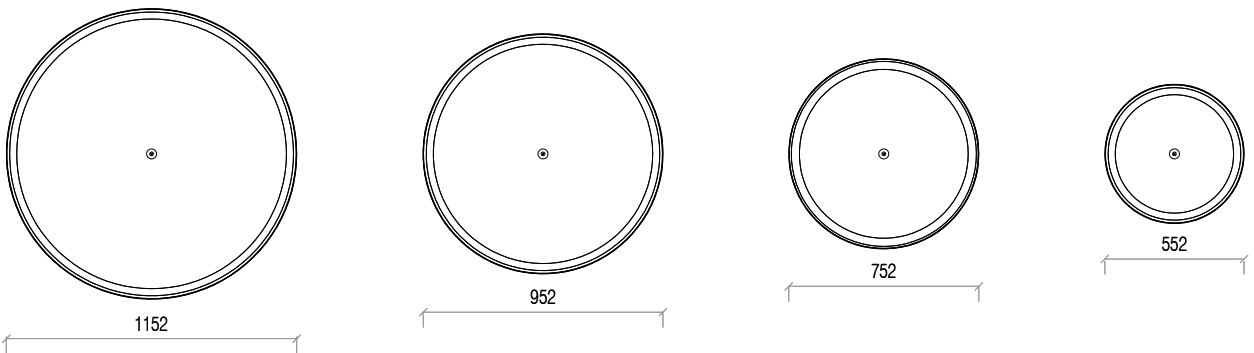


Plan

aKupolo concave



Side elevation



Plan

- Notes:
1. DO NOT SCALE FROM DRAWINGS.
 2. WHERE APPLICABLE, CHECK ALL DIMENSIONS ON SITE PRIOR TO COMMENCING CONSTRUCTION
 3. REPORT ALL CONFLICTS OF INFORMATION AND/OR DESIGN ISSUES TO ARCHILUMO BV
 4. IF IN DOUBT CONTACT ARCHILUMO BV

REV: DATE: DESCRIPTION: BY:

archilumo Ref:

Project:
Technical download

aKupolo series

Title:
aKupolo concave
All sizes with / without top fixing

JOB No: SCALE: NTS SHEET SIZE: A4

Level: Drawing No: REV: STATUS: I

Drawn By: DW Date: March 22 Checked By: Date:

aK.Cave.001