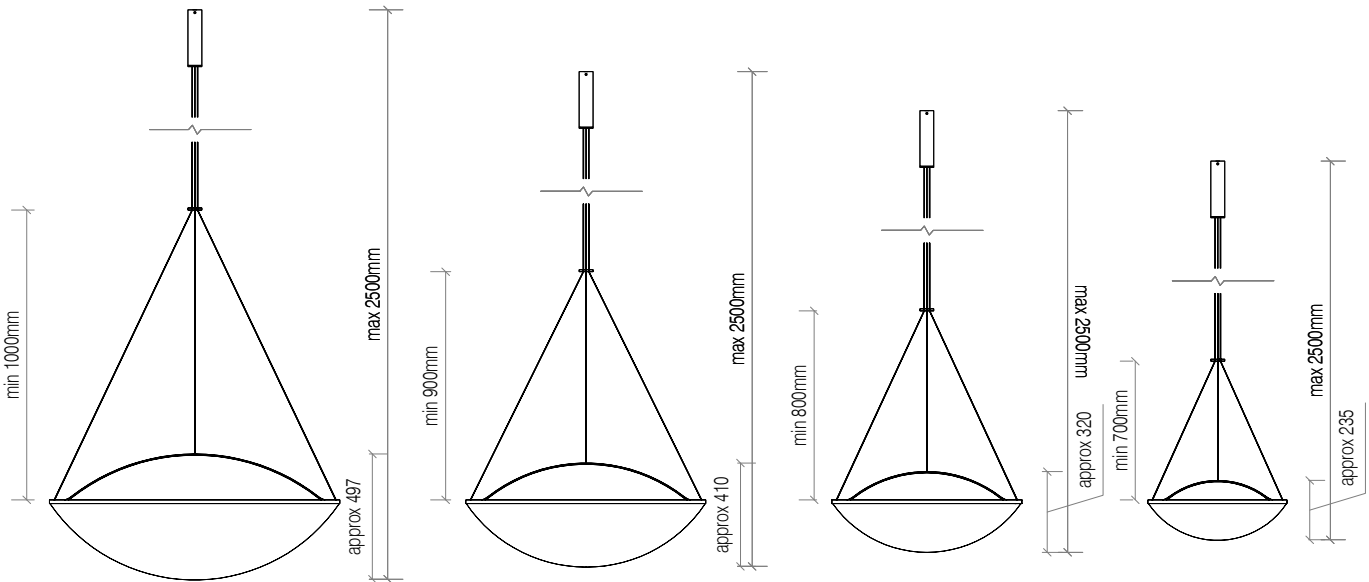
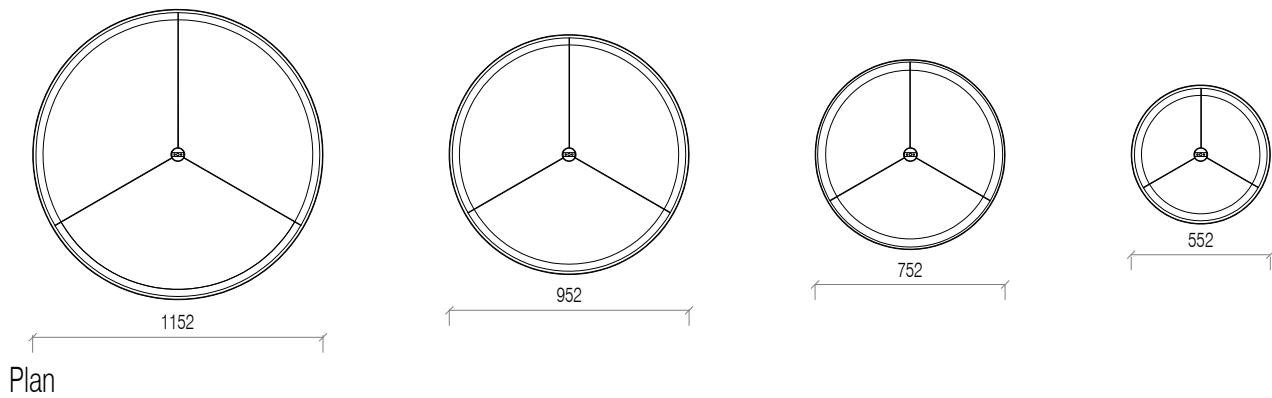


aKupolo indirect



Side elevation



Plan

- Notes:
1. DO NOT SCALE FROM DRAWINGS.
 2. WHERE APPLICABLE, CHECK ALL DIMENSIONS ON SITE PRIOR TO COMMENCING CONSTRUCTION
 3. REPORT ALL CONFLICTS OF INFORMATION AND/OR DESIGN ISSUES TO ARCHILUMO BV
 4. IF IN DOUBT CONTACT ARCHILUMO BV

REV:	DATE:	DESCRIPTION:	BY:

archillumO Ref:

Project:
Technical download

aKupolo series

Title:
aKupolo indirect

JOB No:	SCALE: NTS	SHEET SIZE: A4
Level:	Drawing No: aK.ID.001	REV: I
Drawn By: DW	Date: March 22	Checked By: Date: