

LED System

Correlated Colour Temperature (CCT)

Tunable White - 2200K to 6500K

Standard White - 2700K, 3000K, 4000K, 5000K, 6500K

Colour Rendering Index:

Ra > 80

Ra > 90 optional for 2700K, 3000K, 4000K

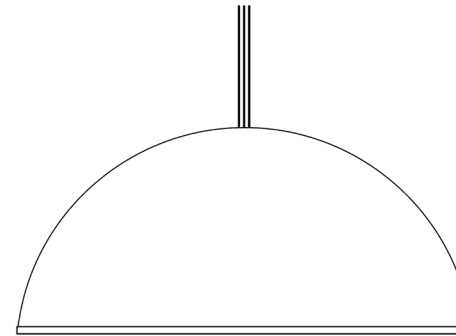
Colour Tolerance:

MacAdam 3

LED Service Life:

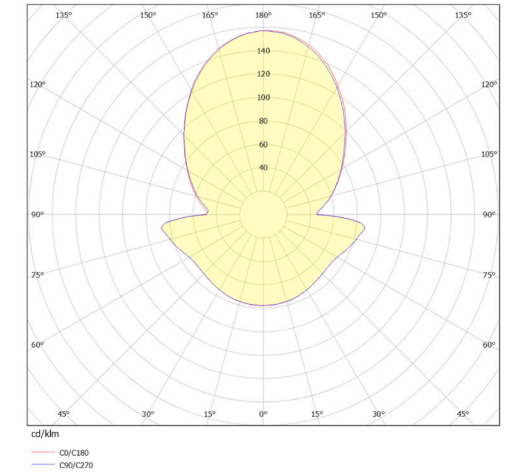
L80 (tq 25 °C) = 100.000 h

Light Distribution



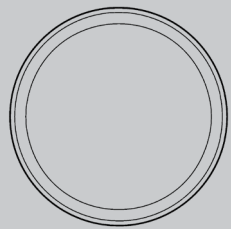
kuPolo | Matt

Light distribution curve [cd]

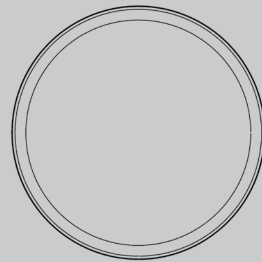


kuPolo | Matt

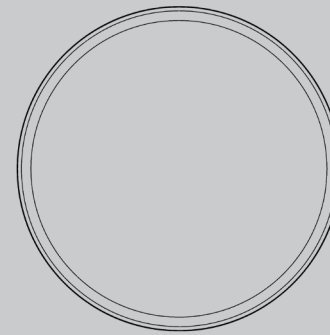
Dimensions



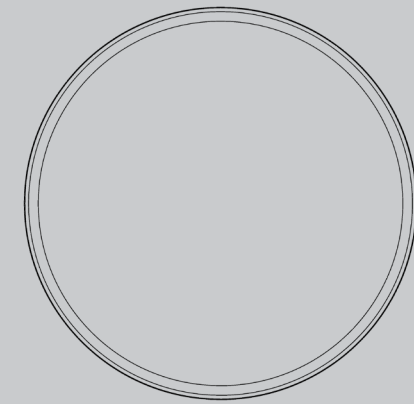
550 mm



750 mm



950 mm



1150 mm

	Luminaire - Calculated Luminous Flux (lm)						Input Power (W)		Luminaire - Efficacy (lm/W)					
	2700K	3000K	4000K	5000K	6500K	TW2200-6500K	SW	TW	2700K	3000K	5000K	4000K	6500K	TW2200-6500K
550 mm	6.554lm	6.927lm	7.448lm	7.448lm	7.448lm	11.411lm	88W	138W	75lm/W	79lm/W	85lm/W	85lm/W	85lm/W	85lm/W
750 mm	8.936lm	9.444lm	10.155lm	10.155lm	10.155lm	15.557lm	120SW	181W	76lm/W	79lm/W	85lm/W	85lm/W	85lm/W	85lm/W
950 mm	11.322lm	11.965lm	12.866lm	12.866lm	12.866lm	19.711lm	152W	233W	76lm/W	79lm/W	85lm/W	85lm/W	85lm/W	85lm/W
1150 mm	13.700lm	14.479lm	15.568lm	15.568lm	15.568lm	23.851lm	184W	284W	76lm/W	79lm/W	85lm/W	85lm/W	85lm/W	85lm/W

Standby power: 0,5 W

Flux data based on standard dot Light Guide design. **Flux may vary per colour and Etch-Design.**

LED System

Correlated Colour Temperature (CCT)

Tunable White - 2200K to 6500K

Standard White - 2700K, 3000K, 4000K, 5000K, 6500K

Colour Rendering Index:

Ra > 80

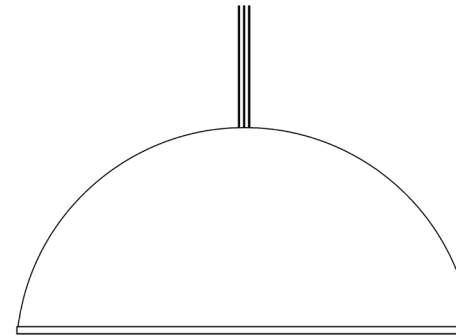
Ra > 90 optional for 2700K, 3000K, 4000K

Colour Tolerance:

MacAdam 3

LED Service Life:

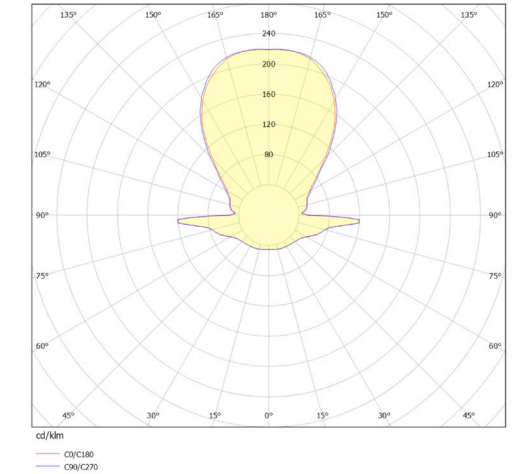
L80 (tq 25 °C) = 100.000 h



kuPolo | Gloss

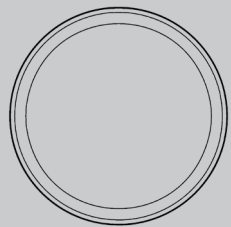
Light Distribution

Light distribution curve [cd]

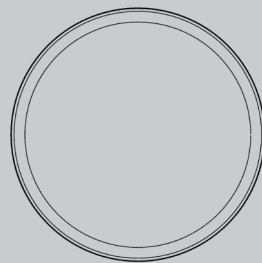


kuPolo | Gloss

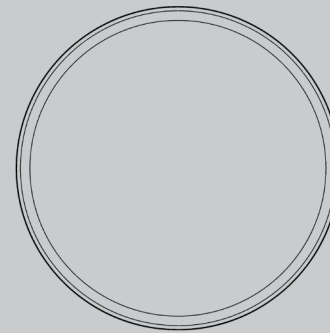
Dimensions



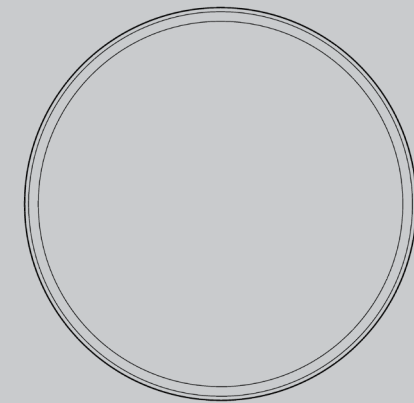
550 mm



750 mm



950 mm



1150 mm

	Luminaire - Calculated Luminous Flux (lm)						Input Power (W)		Luminaire - Efficacy (lm/W)					
	2700K	3000K	4000K	5000K	6500K	TW2200-6500K	SW	TW	2700K	3000K	5000K	4000K	6500K	TW2200-6500K
550 mm	6.046lm	6.389lm	6.870lm	6.870lm	6.870lm	9.859lm	88W	138W	69lm/W	73lm/W	78lm/W	78lm/W	78lm/W	74lm/W
750 mm	8.243lm	8.711lm	9.367lm	9.367lm	9.367lm	13.442lm	120SW	181W	69lm/W	73lm/W	78lm/W	78lm/W	78lm/W	74lm/W
950 mm	10.444lm	11.037lm	11.868lm	11.868lm	11.868lm	17.031lm	152W	233W	69lm/W	73lm/W	78lm/W	78lm/W	78lm/W	74lm/W
1150 mm	12.637lm	13.355lm	14.361lm	14.361lm	14.361lm	20.608lm	184W	284W	69lm/W	73lm/W	78lm/W	78lm/W	78lm/W	74lm/W

Standby power: 0,5 W

Flux data based on standard dot Light Guide design. **Flux may vary per colour.**