

FloRal

FloRal - a hand-moulded, LED based, shade.

Available in two sizes and two designs.

FloRal is made of a high-grade 6mm acrylic Light Guide.

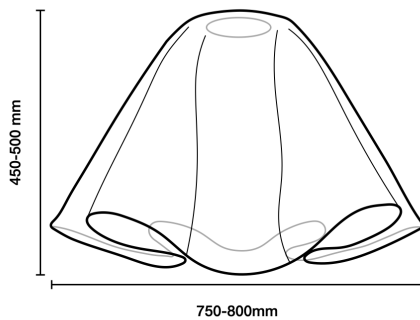
Due to its artisanal production process, FloRal shades are unique, varying slightly in size and form.



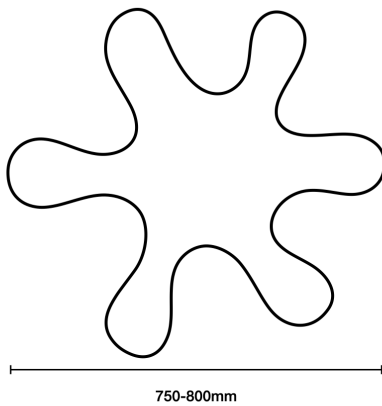
Dimensions

FloRal S | Small

Side View

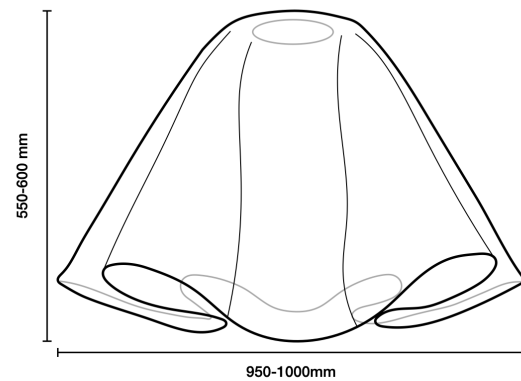


Bottom View

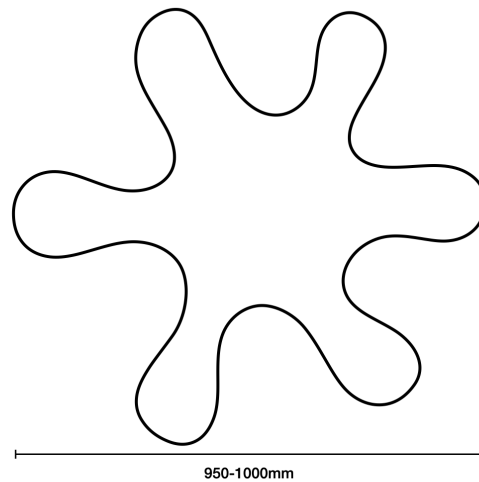


FloRal L | Large

Side View



Bottom View



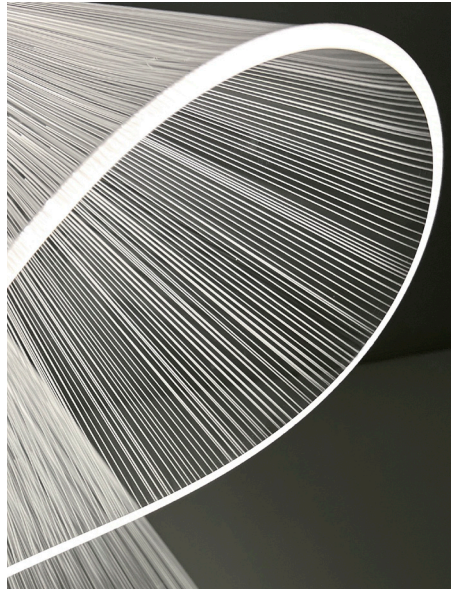
Due to its artisanal production process, FloRal shades are unique, varying slightly in size and form.

Design Options

Dots



Lines



LED Options

24V Tunable White: 2200K to 5000K

Light Performance

FloRal		Flux Luminaire (LED Strip Input Data)	
CCT		Small (S)	Large (L)
Tunable White	2200-5000K	2.000lm	3.000lm

Tunable White: Max output (Flux) at 3600K
CRI: 90
Standby power: 0,5W
Rated median useful life: 90.000h L80 at 55C
Colour tolerance: MacAdam 3

Control

24V System

For dimming and colour control, Floral is controlled by a 2-channel Casambi PWM Controller. Panels can be controlled by a Casambi Wireless Wall Switch or Casambi Wireless Mobile App.

Integration in a Dali Network, using a Casambi / Dali converter is a standard option.

Properties

Hand-moulded high-grade 6mm acrylic shade. Custom algorithms for optimal light distribution and design. Precision CNC milled high-grade aluminium ring profile for optimal heat-sink and finest finish. Current carrying suspension cables.
